

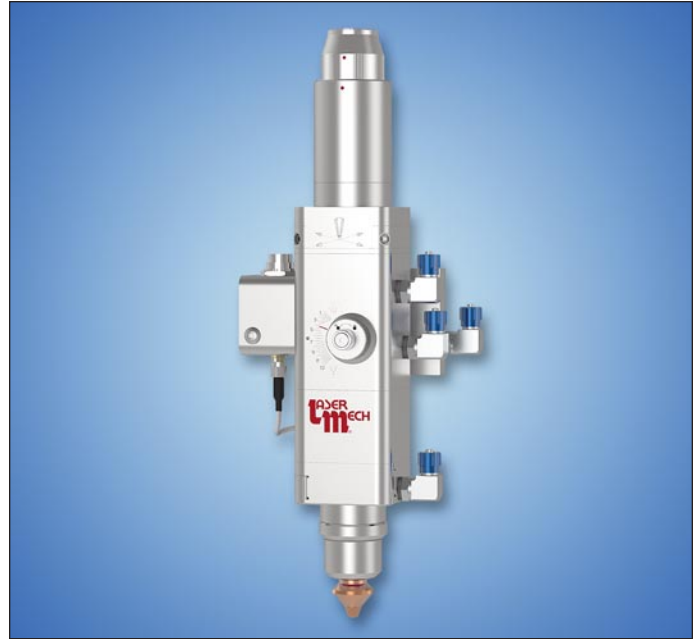


FiberMINI[®] ST

FiberMINI[®] Straight (ST) is a simple, yet flexible, design that allows the user to optimize the processing head to their specific Fiber Laser application. The head is capable of cutting a wide range of materials and is also available in various welding configurations. FiberMINI[®] ST delivers both user-friendly operation and reliable performance at an attractive price.

Features

- Available with or without capacitive height sensing
- Temperature sensors protect optics and minimize the chance of overheating
- 13 mm of lens movement to set focus
- Quick, toolless access to the sealed cover glass
- Flexible design to optimize a wide range of spot sizes
- Compact, lightweight design
- Nozzle cooling for use with highly reflective materials
- Purge air and sealed optics

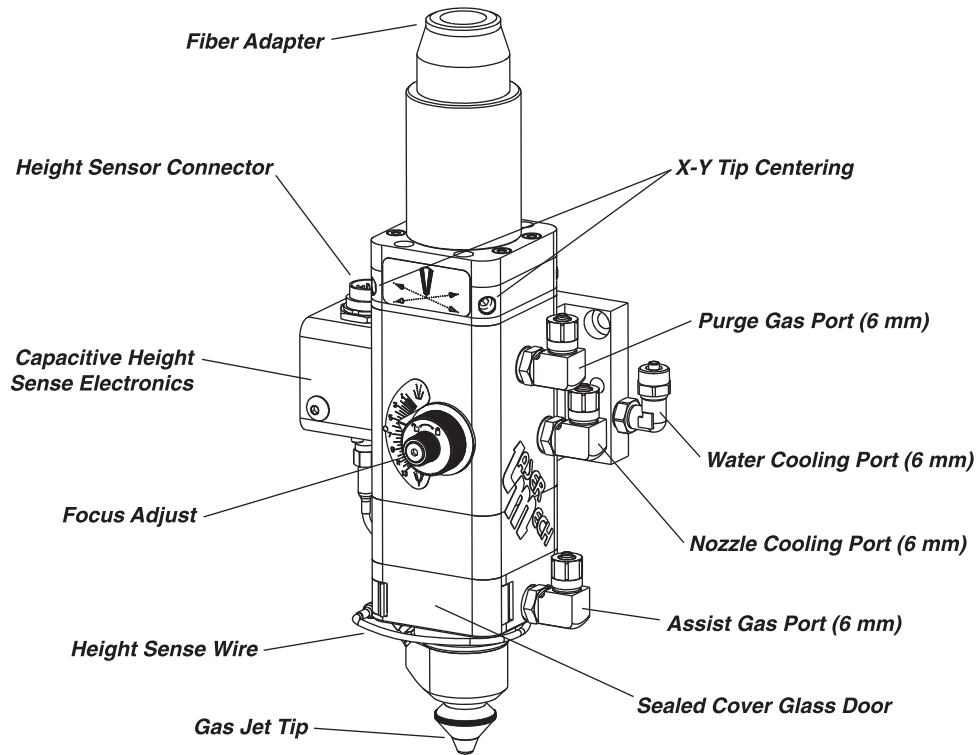


Laser Mechanisms' ultra-compact FiberMINI[®] ST easily integrates into modern, three-axis laser cutting machine designs.

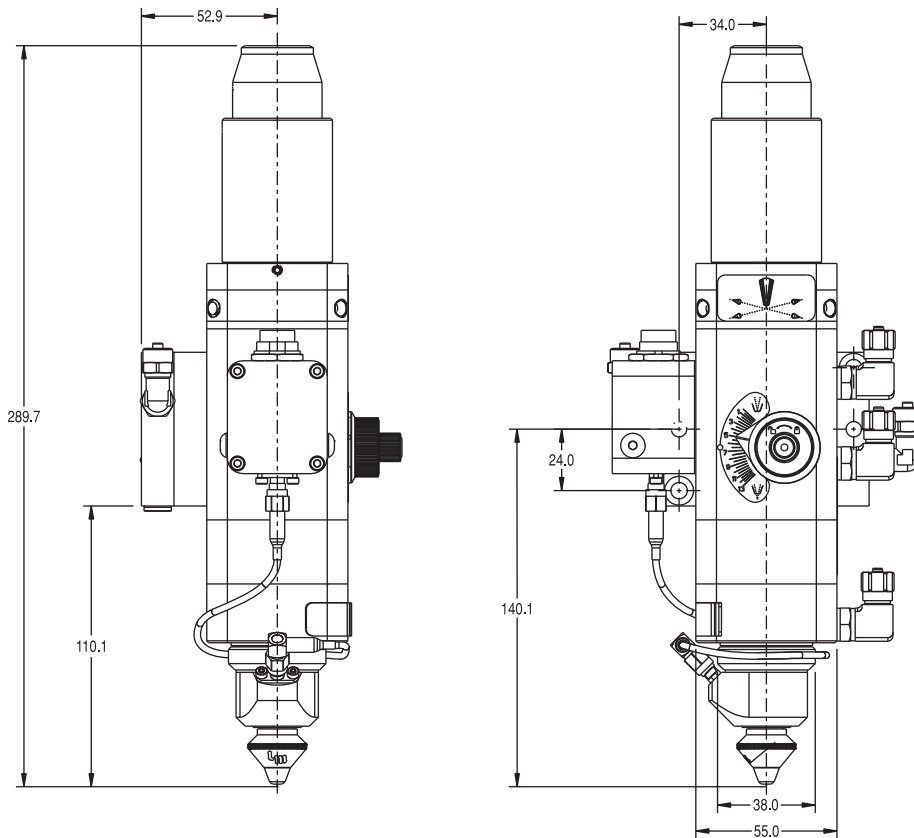
Specifications

CUTTING HEAD	
Power Rating	up to 4 kW
Nominal Focusing Lens (Singlet, Fused Silica, λ 1025-1080 nm)	100 mm, 125 mm, 150 mm, 200 mm
Clear Aperture	25 mm
Nozzle Orifices	1 mm to 4 mm
Nozzle Styles	Single Orifice, Double, Multi-Hole Shower, Custom
Assist Gas Pressure	up to 20 BAR
Focal Point To Nozzle Adjustment	-4 mm to +9 mm
Weight	~1.5 kg
LASER MECH [®] COLLIMATOR	
Nominal Collimating Lens (Doublet, Fused Silica, λ 1025-1080 nm)	35 mm, 60 mm, 75 mm, 100 mm
Clear Aperture	25 mm
Fiber Connection (Others Available On Request)	QBH, LLK-B, QD
HEIGHT SENSOR	
Standoff Distance Range (1 mm Recommended)	0.2 mm to 8.0 mm
Calibration	Auto Calibrating
Response Time	<1 msec.
Temperature Stability	$\pm 5\%$ of Standoff Setting, 0° to 45° C
Power Requirement	24 V
Output (Optimized Curve For Flat Metal or Linear Signal)	0-10 V Analog

Specifications subject to change without notice.



FiberMINI® ST shown in cutting setup with 60 mm collimator and 125 mm focal length. Other configurations available upon request.



Laser Mechanisms, Inc.
 25325 Regency Drive
 Novi, Michigan 48375
 Phone: (248) 474-9480
 Fax: (248) 474-9277

Laser Mechanisms Europe NV
 Groenestaakstraat 59
 B-9030 Mariakerke, Belgium
 Phone: +32 (0)92 18 70 70
 Fax: +32 (0)92 18 70 79

Internet
 Web: www.lasermech.com
 E-Mail: info@lasermech.com